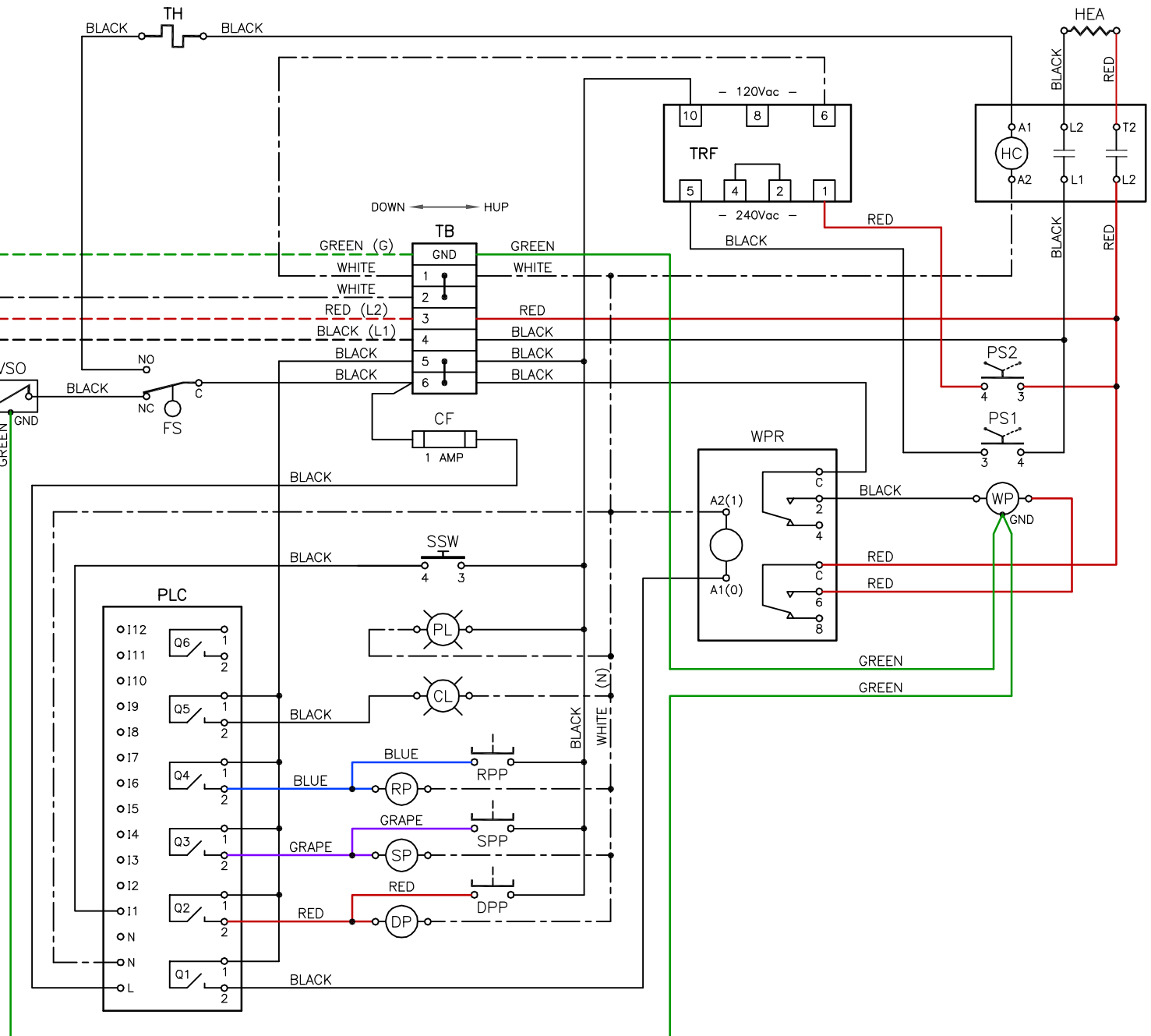


WPR	Water Pump Relay
WP	Water Pump
TRF	240/120V Transformer
TH	Thermostat
TB	Terminal (junction) Block
SSW	Start Switch
SPP	Sanitizer Pump Primer
SP	Sanitizer Pump
SOV	Solenoid Valve
RPP	Rinse Pump Primer
RP	Rinse Pump
PS2	Power Switch L2
PS1	Power Switch L1
PLC	Programmable Logic Controller
PL	Power Lamp (pilot)
HEA	Immersion Heater (3Kw)
HC	Immersion Heater Contactor
FS	Float (micro) Switch
DPP	Detergent Pump Primer
DP	Detergent Pump
CL	Cycle Light (yellow)
CF	Controller (PLC) Fuse
Item	DESCRIPTION



## PM2 GLASSWASHER - 240V

DESSIN/DRAWING No:	PAGE	DATE:	REV.
PM2-EL-240V-AN	1/1	17/03/2016	0