

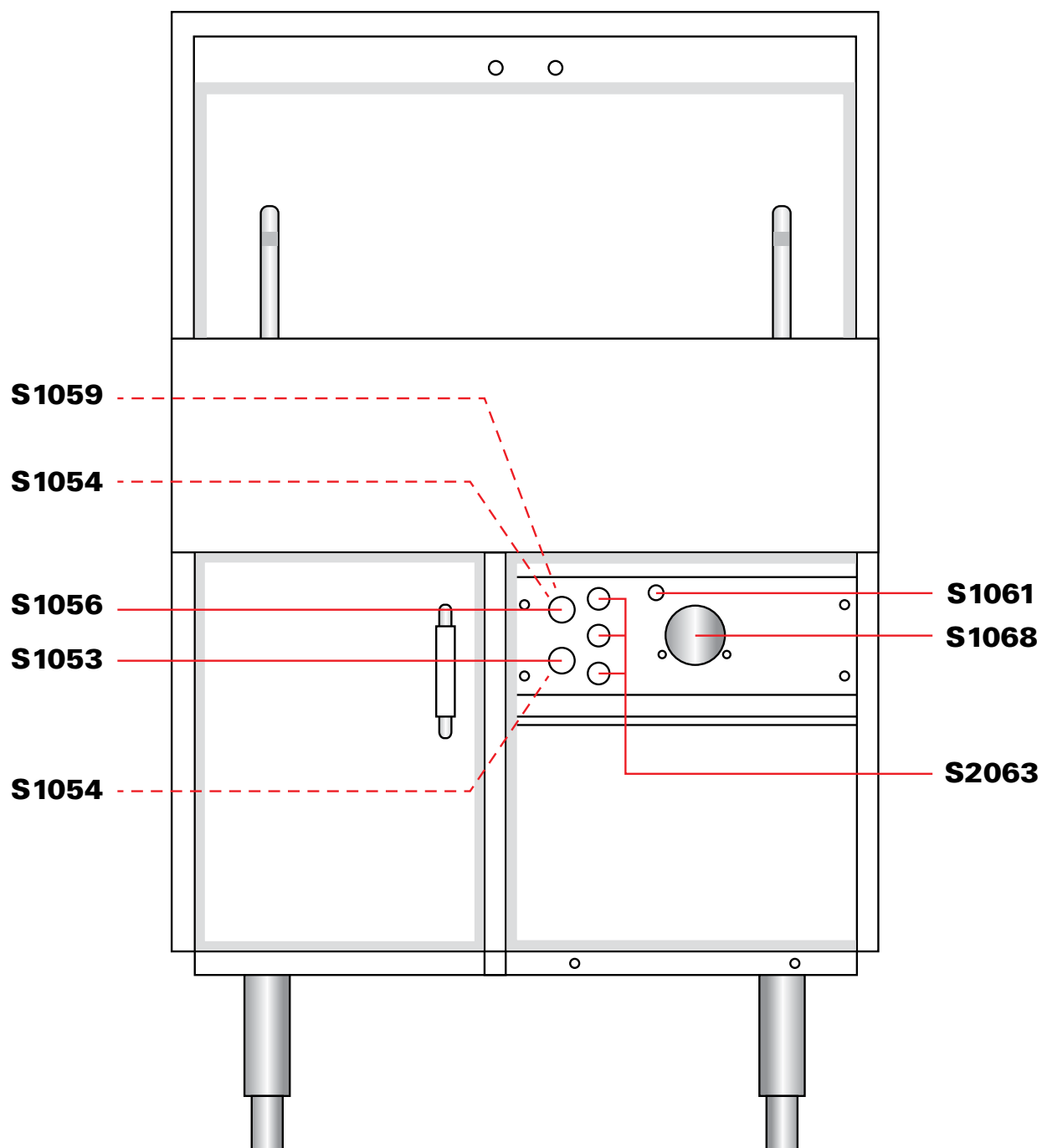
Parts Manual

PM2

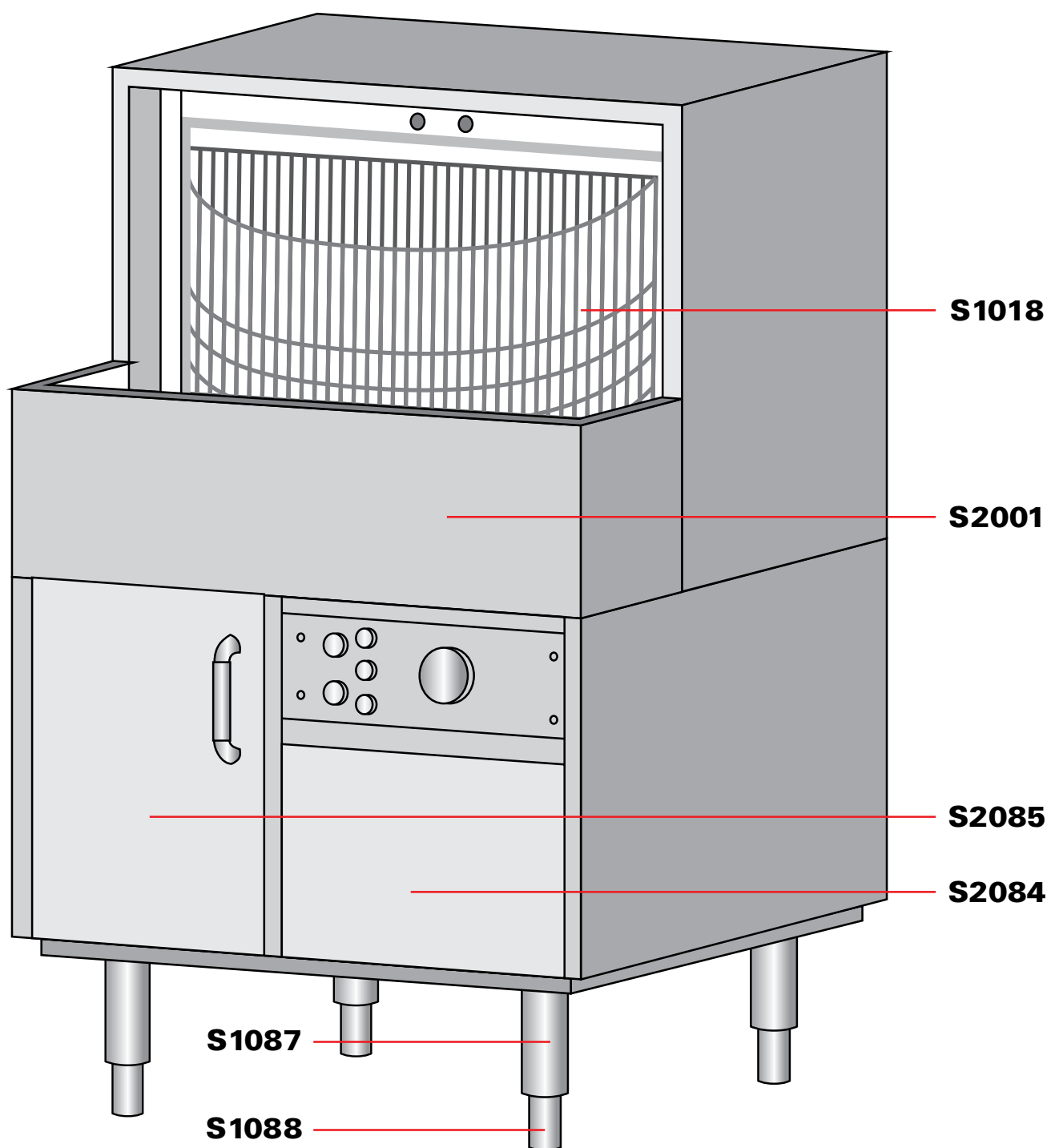


R É P A R A T I O N S

R.PERREAU



S1053	On/Off selector switch
S1054	Contact
S1055	On/Off switch assembly
S1056	Yellow push-button (start cycle)
S1058	Start switch assembly
S1059	L.E.D. Cycle light
S1061	120 Vac pilot lamp indicator
S1063	Chemical prime switch
S1068	Thermometer



S1018 Half moon basket

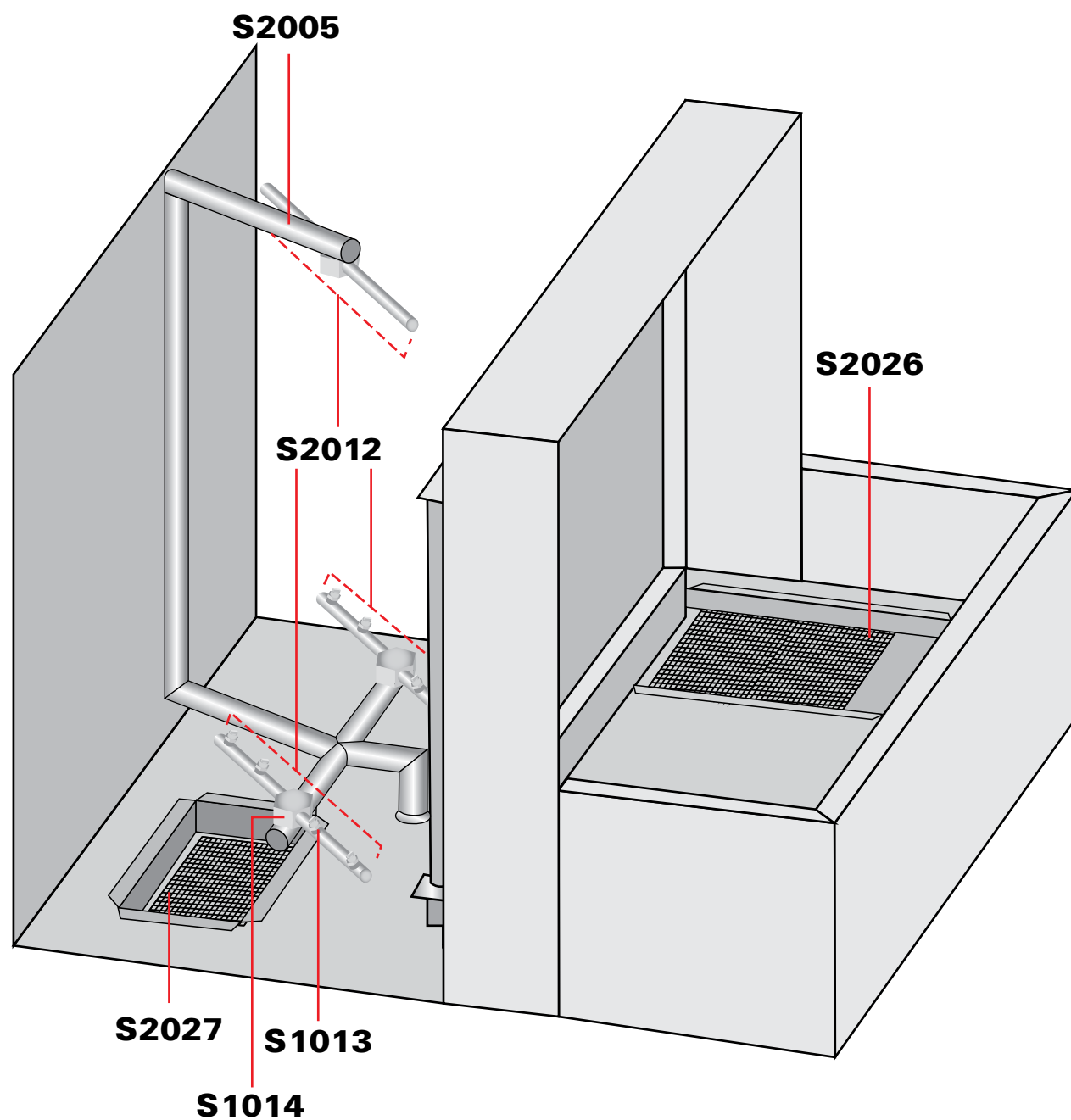
S1087 Leg

S1088 Adjustable leg

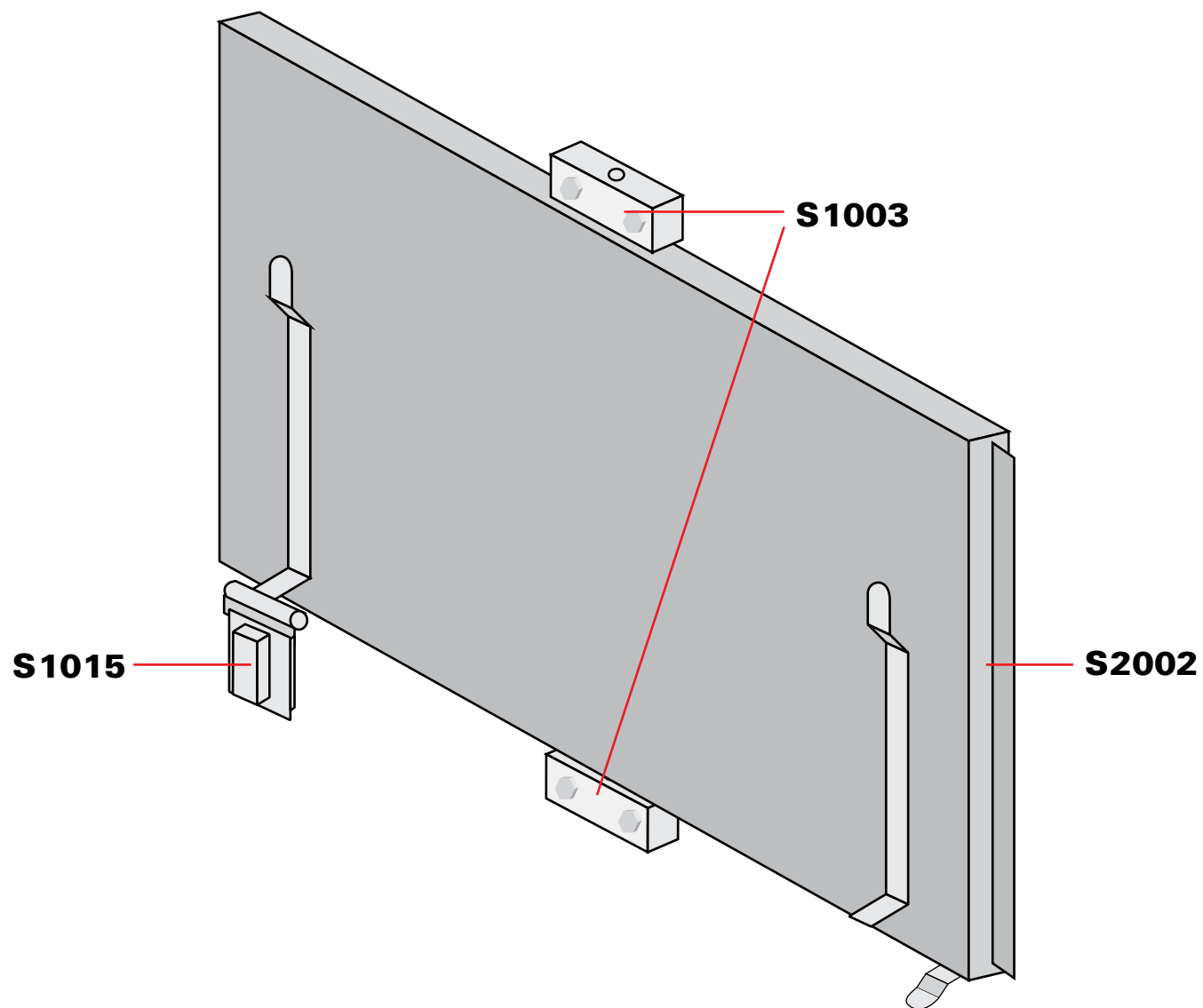
S2001 Top

S2084 Front panel

S2085 Hinge door 10 x 15.5"



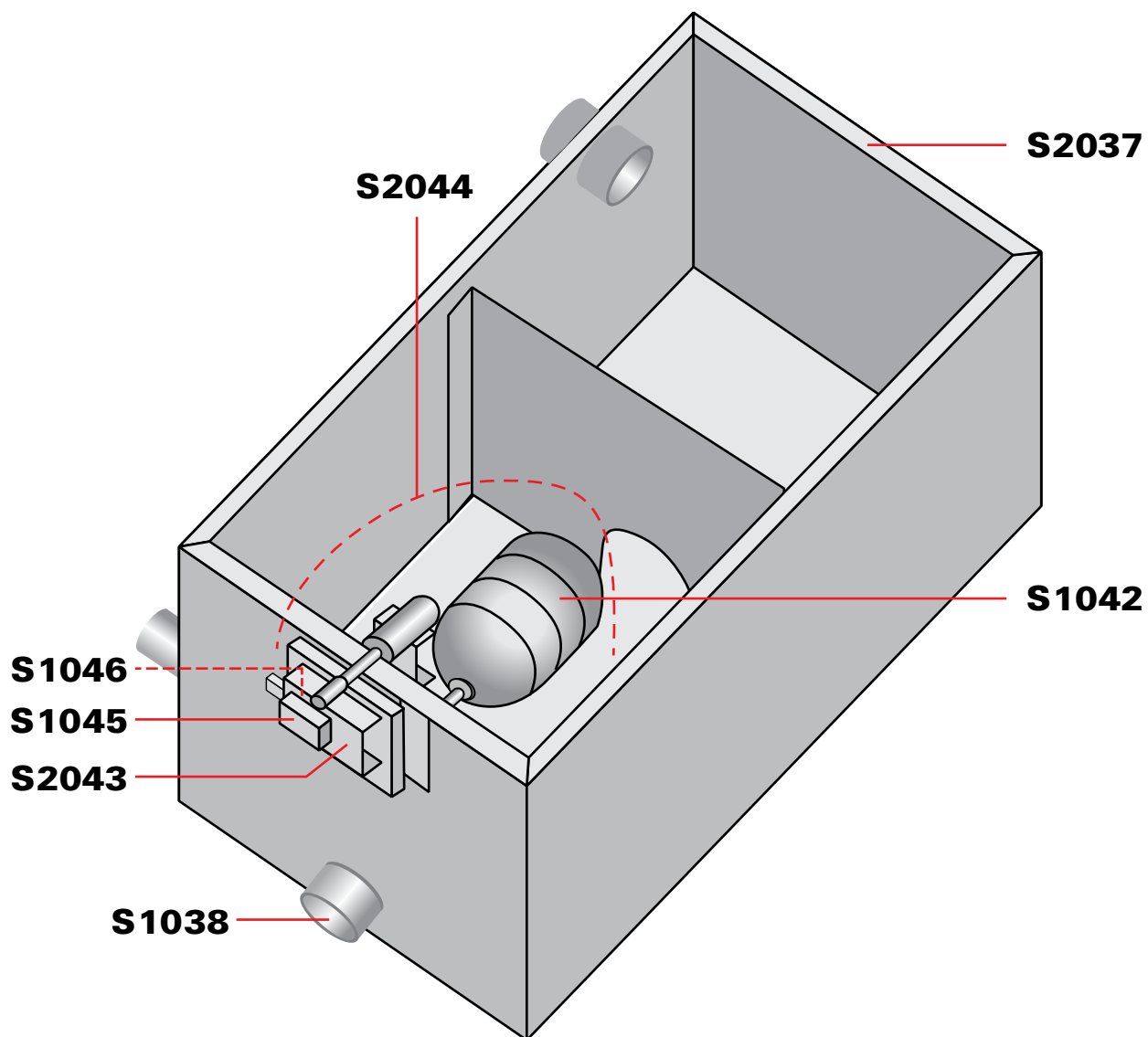
S2012	Complete wash arms
S1013	Wash arm nozzle
S1014	Center wash arm polymer
S2026	Front Scrap screen
S2027	Drain scrap screen
S2005	Spray arm support (manifold)



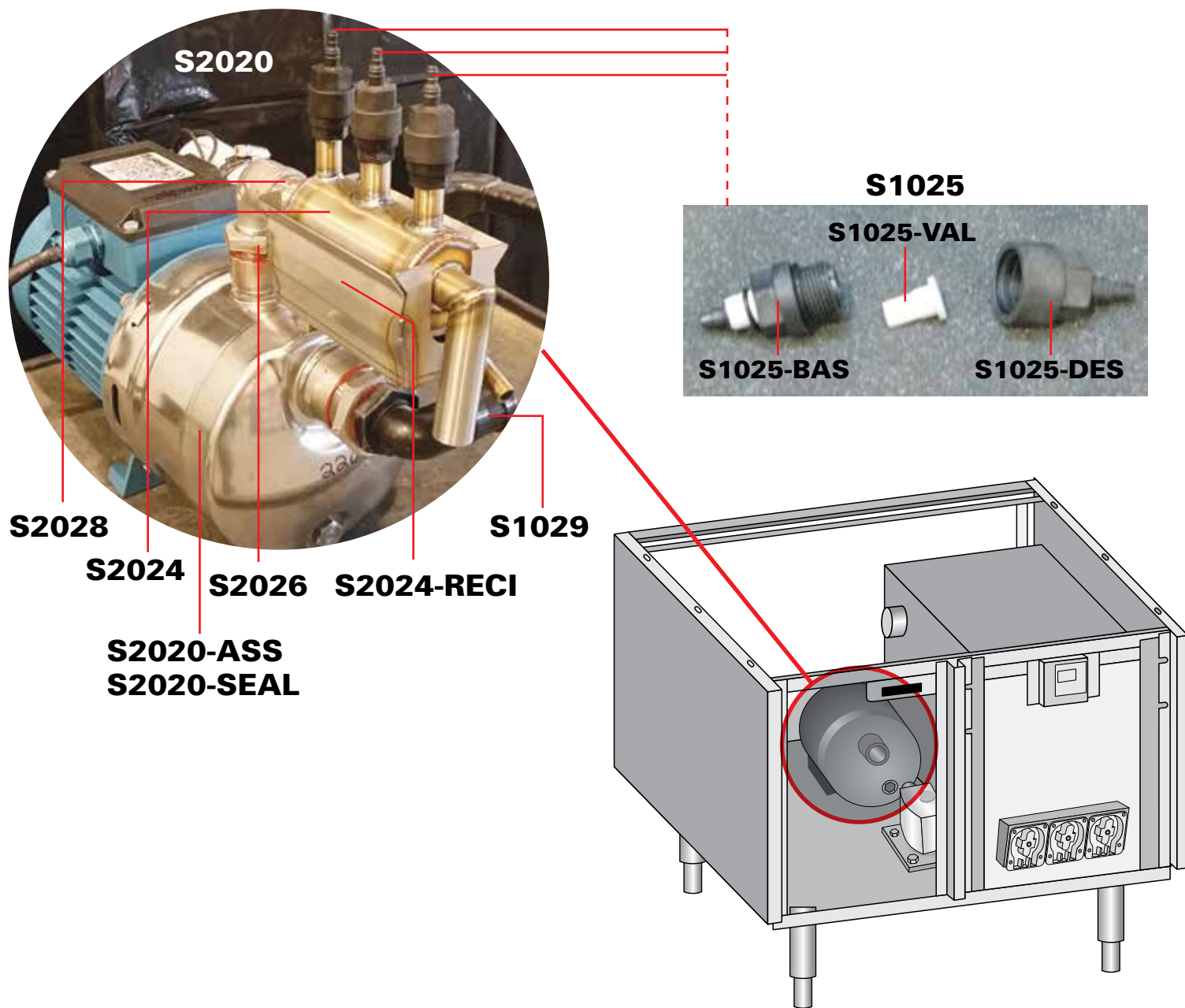
S1003 Teflon door catch

S1015 Door stopper

S2002 Complete Pm2 door



S1038	Tank heater 3000 Watts
S1042	Stainless float
S1045	Water level micro switch
S1046	Micro switch gasket
S2037	Water tank
S2043	Replacement float bracket kit
S2044	Complete Float with bracket



S1025	Check valve assembly
S1025-BAS	Check valve base
S1025-DES	Check valve upper part
S1025-VAL	Duckbill valve
S1029	1" PVC elbow (pump inlet)
S2020	Stainless wash pump 120 Vac
S2020-ASS	Stainless pump assembly with mixer
S2020-SEAL	Water pump seal
S2020-CAP	Capacitor for calpeda MXH 20
S2024	Chemical Mixer
S2024-RECI	Pan for chemical leak
S2026	1" x 3/4 stainless pipe reducer with elbow
S2028	3/4 stainless nipple

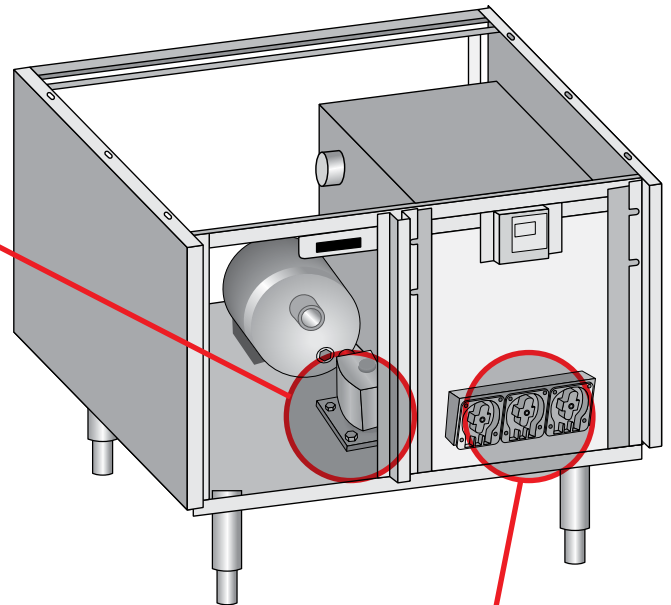
S2033-KIT

8



S2033 OR S2033-ASS

S2033-COIL

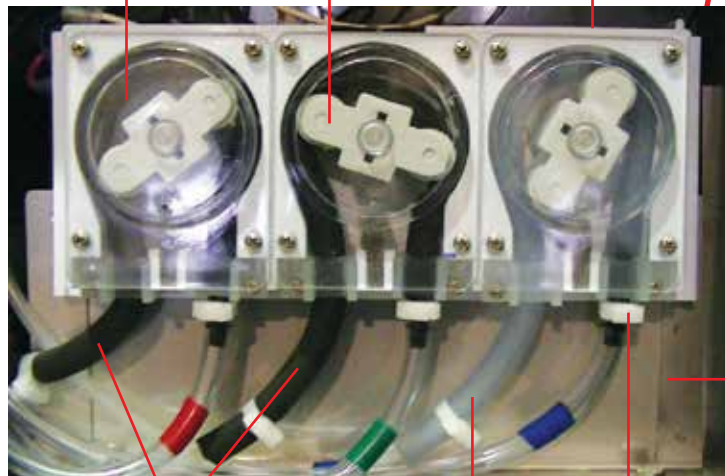


S1071

S1083

S1070

S1069



S2073

S1076

S1077 S1082

S2033 Asco Valve 120 Vac

S2033-ASS Asco valve assembly with fittings and bracket

S2033-COIL Asco Coil 120 Vac

S2033-KIT Asco Valve repair kit

S1069 Triple complete detergent pump

S1070 Detergent pump motor

S1071 Detergent pump cover

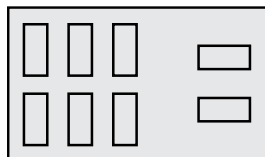
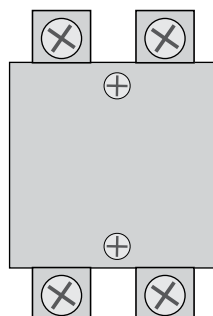
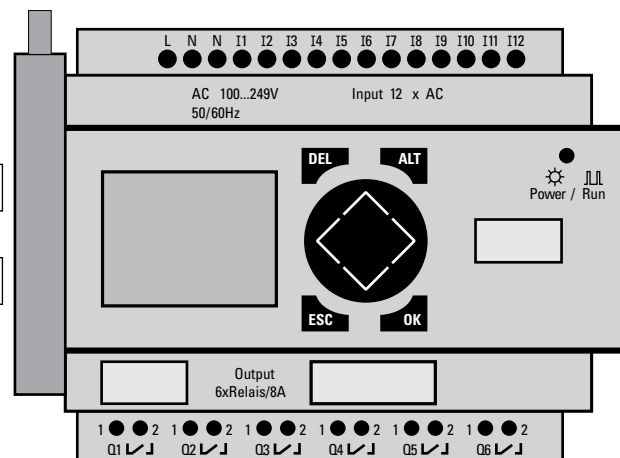
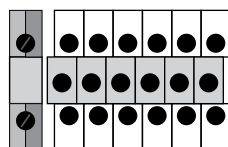
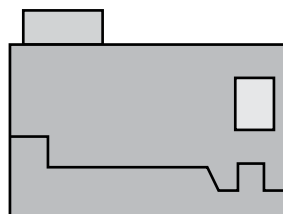
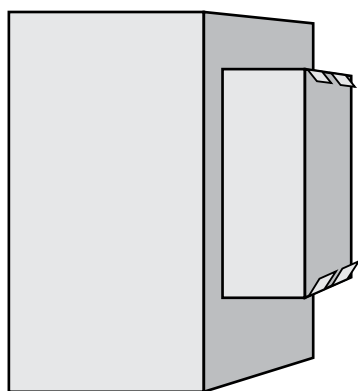
S2073 Long pump support

S1076 Squeeze Tube 11" Norprene

S1077 Squeeze Tube 11" Silicone

S1082 1/4 black union fitting for flexible tubing

S1083 Detergent pump roller

S2089**S1064****S2092****S2049****S2090 S2091****S2094****S1065**

S1064	Contacteur 120 Vac
S1065	Thermostat
S2049	Timer (PLC)
S2089	Pump relay
S2090	Terminal block ground
S2091	Terminal block
S2092	Timer (PLC) fuse holder
S2093	Fuse 1 amp
S2094	Transfo 240/120 Vac (only on 240 V model)